

OFFICE LINEAR SURFACE

LEDVANCE



LUMINAIRE		+	RAIL	
OFFICE LINEAR V 2CCT PRISM	4099854251498		OFFICE LINEAR SF V 34W PS 1124 WT	4099854251559
			OFFICE LINEAR SF V 34W PS 1124 BK	4099854251573
OFFICE LINEAR V 2CCT UGR19	4099854251511		OFFICE LINEAR SF V 34W PS 1124 GY	4099854251597
			OFFICE LINEAR SF V 34W PS 1124 WT DALI	4099854251610
OFFICE LINEAR V 2CCT OPAL	4099854251535		OFFICE LINEAR SF V 34W PS 1124 BK DALI	4099854296338
			OFFICE LINEAR SF V 34W PS 1124 GY DALI	4099854251634

OFFICE LINEAR SURFACE

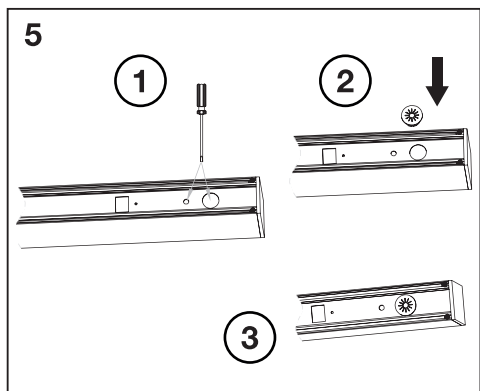
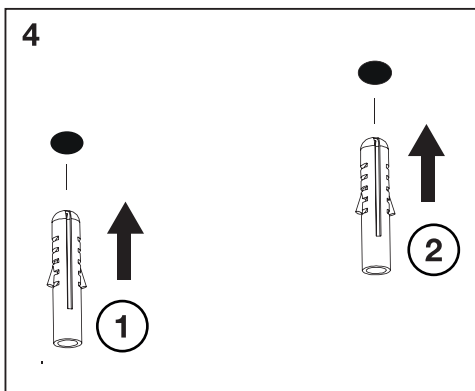
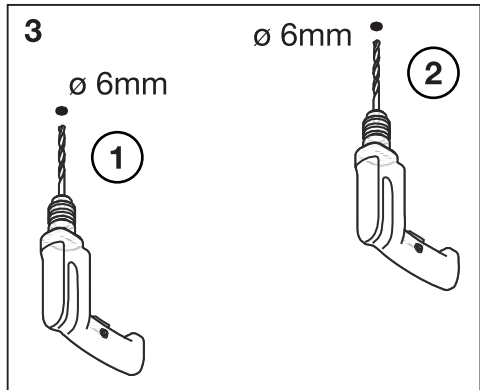
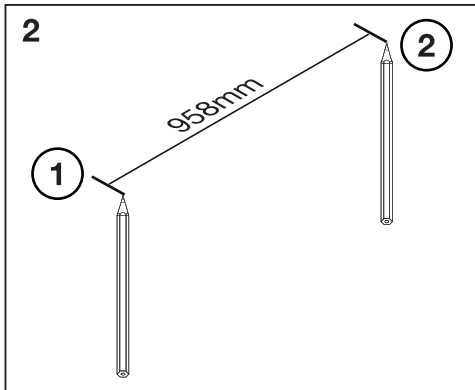
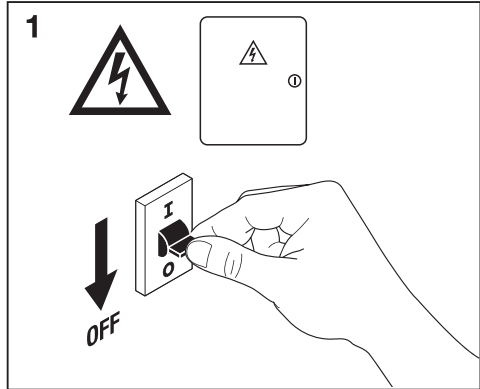
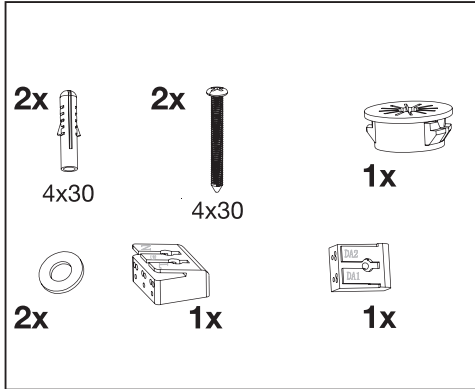


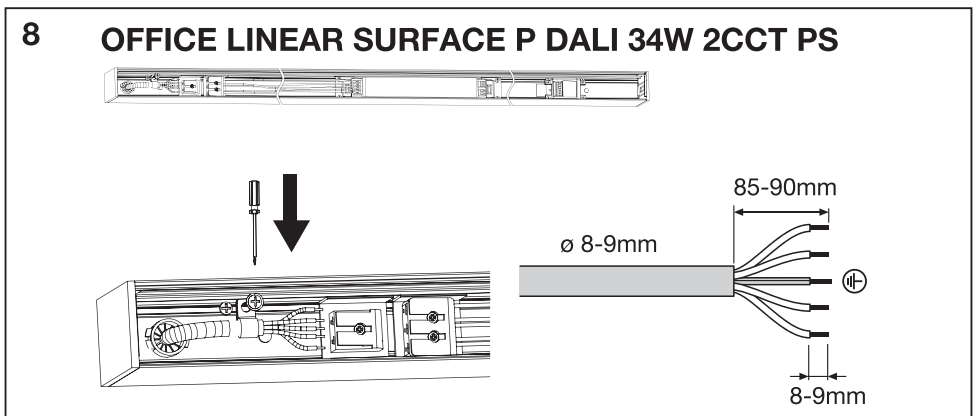
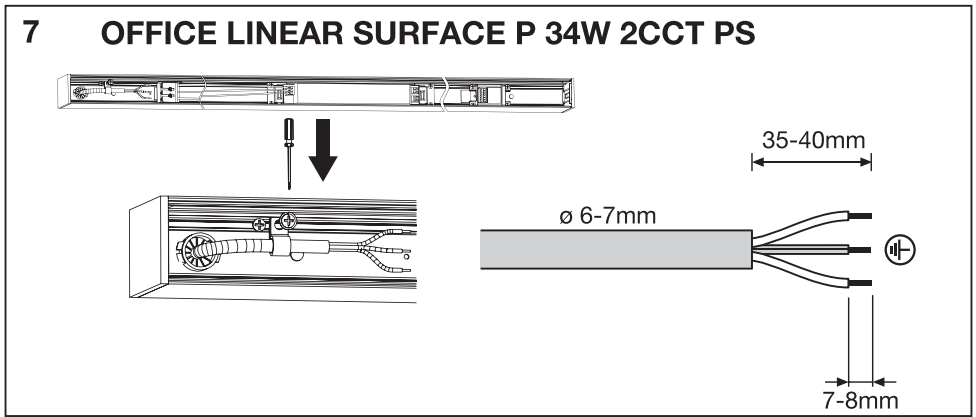
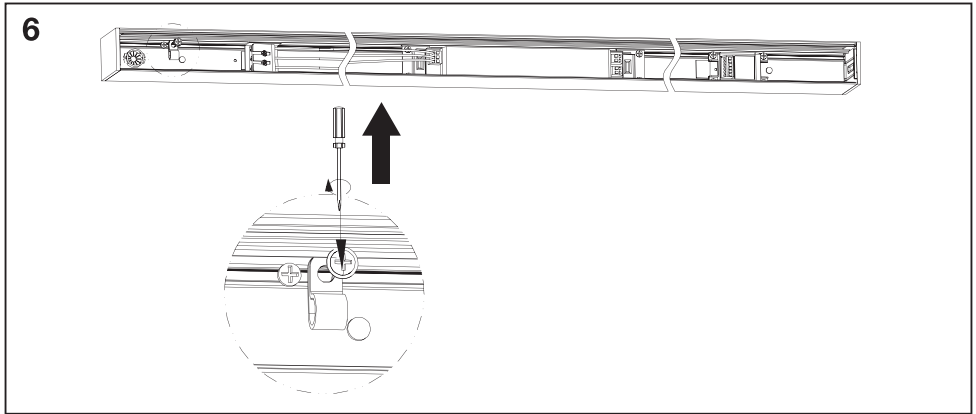
	EAN	l x w x h (mm)	W	V	lm	lm/W
OFFICE LINEAR V 2CCT PRISM	4099854251498	1120x43x45	19-24-29-34	80-86DC	*	*
OFFICE LINEAR V 2CCT UGR19	4099854251511	1120x43x45	19-24-29-34	80-86DC	*	*
OFFICE LINEAR V 2CCT OPAL	4099854251535	1120x43x45	19-24-29-34	80-86DC	*	*
OFFICE LINEAR SF V 34W PS 1124 WT	4099854251559	1128x45x73	19-24-29-34	220-240AC	-	-
OFFICE LINEAR SF V 34W PS 1124 BK	4099854296338	1128x45x73	19-24-29-34	220-240AC	-	-
OFFICE LINEAR SF V 34W PS 1124 GY	4099854251597	1128x45x73	19-24-29-34	220-240AC	-	-
OFFICE LINEAR SF V 34W PS 1124 DALI WT	4099854251610	1128x45x73	34	220-240AC	-	-
OFFICE LINEAR SF V 34W PS 1124 DALI BK	4099854251733	1128x45x73	34	220-240AC	-	-
OFFICE LINEAR SF V 34W PS 1124 DALI GY	4099854251634	1128x45x73	34	220-240AC	-	-

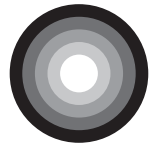
	EAN	K	°(°C)	▽	R _a	IP/IK	⊙	👤
OFFICE LINEAR V 2CCT PRISM	4099854251498	3000-4000	-20°...+40°	80°	>90	20/03	-	0,53kg
OFFICE LINEAR V 2CCT UGR19	4099854251511	3000-4000	-20°...+40°	50°	>90	20/03	-	0,55kg
OFFICE LINEAR V 2CCT OPAL	4099854251535	3000-4000	-20°...+40°	100°	>90	20/03	-	0,52kg
OFFICE LINEAR SF V 34W PS 1124 WT	4099854251559	-	-20°...+40°	-	-	20/03	-	1,1kg
OFFICE LINEAR SF V 34W PS 1124 BK	4099854296338	-	-20°...+40°	-	-	20/03	-	1,1kg
OFFICE LINEAR SF V 34W PS 1124 GY	4099854251597	-	-20°...+40°	-	-	20/03	-	1,1kg
OFFICE LINEAR SF V 34W PS 1124 DALI WT	4099854251610	-	-20°...+40°	-	-	20/03	DALI2	1,1kg
OFFICE LINEAR SF V 34W PS 1124 DALI BK	4099854251733	-	-20°...+40°	-	-	20/03	DALI2	1,1kg
OFFICE LINEAR SF V 34W PS 1124 DALI GY	4099854251634	-	-20°...+40°	-	-	20/03	DALI2	1,1kg



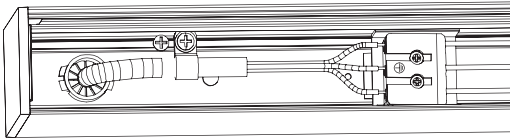
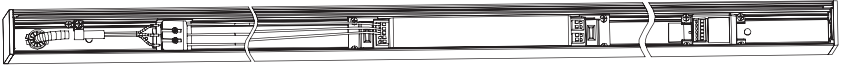
LUMINAIRE + RAIL SURFACE INSTALLATION



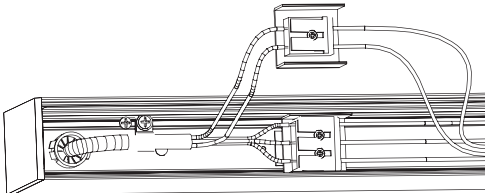
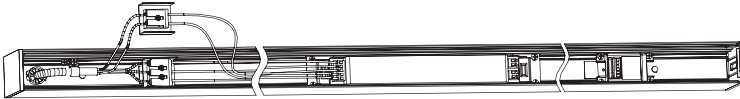




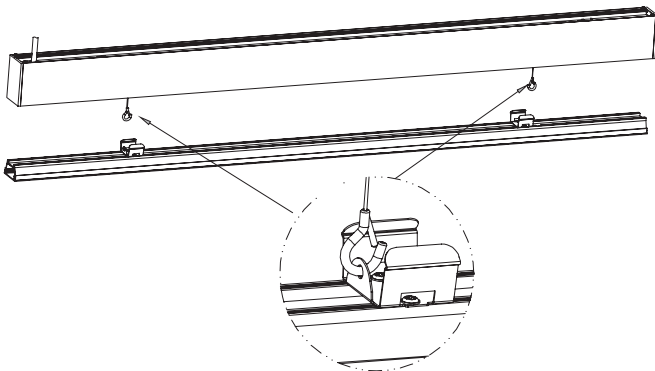
9 OFFICE LINEAR SURFACE P 34W 2CCT PS



10 OFFICE LINEAR SURFACE P DALI 34W 2CCT PS

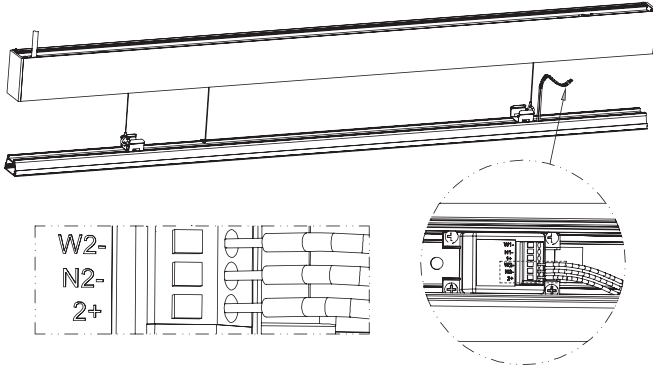


11

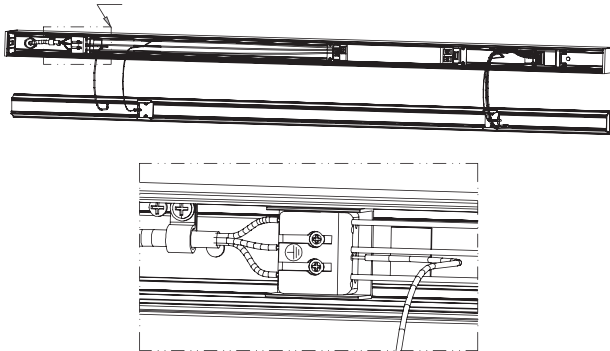




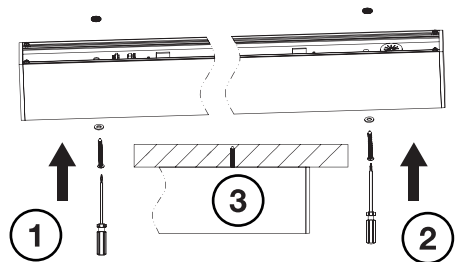
12



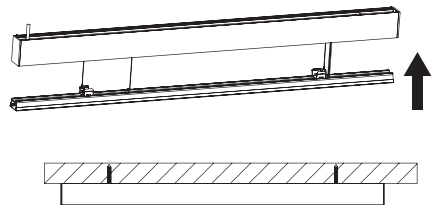
13



14



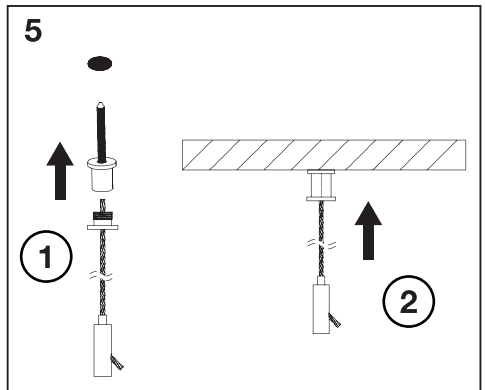
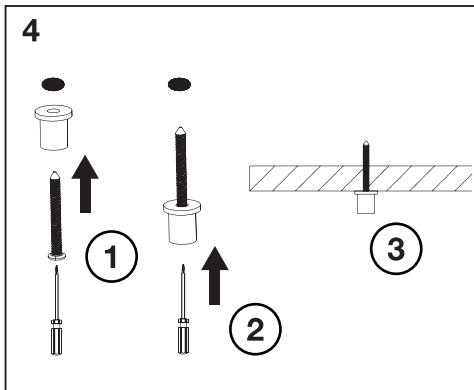
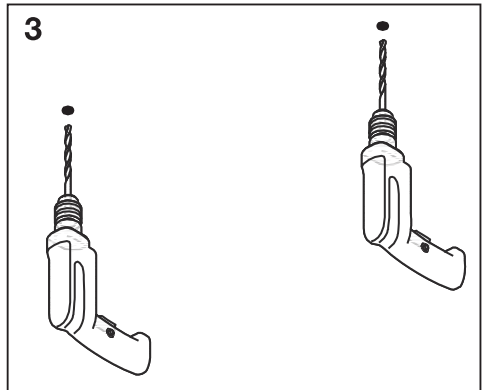
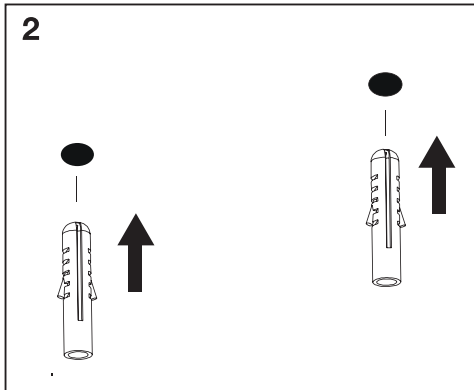
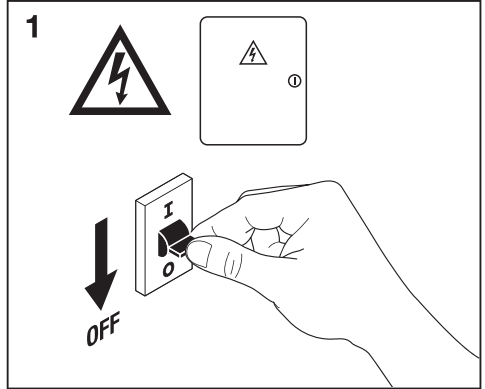
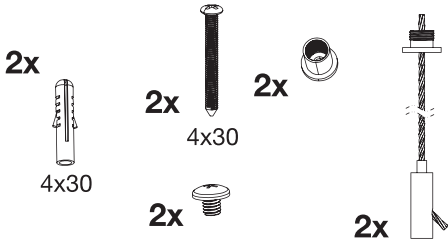
15

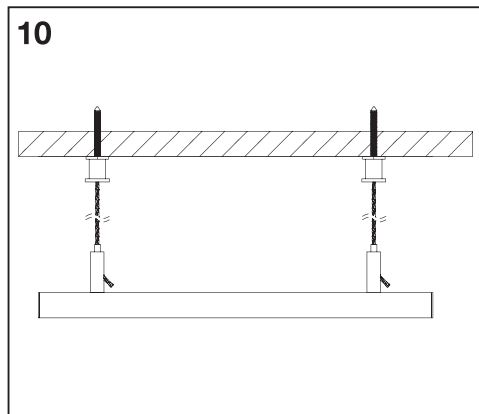
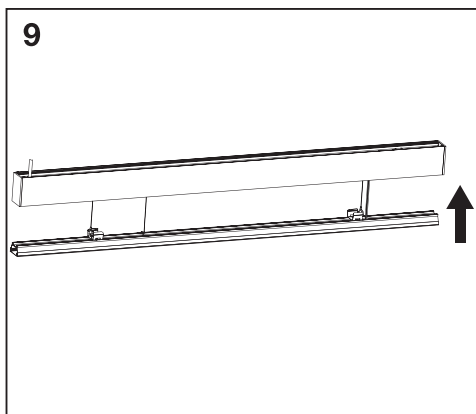
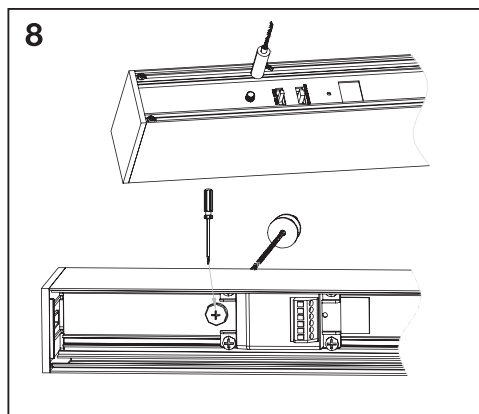
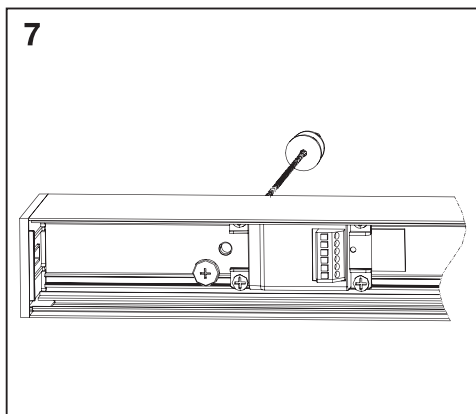
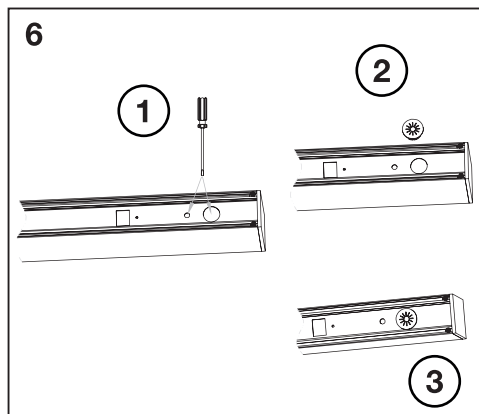
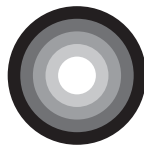




LUMINAIRE + RAIL SUSPENDED INSTALLATION

OFFICE LINEAR SF V
SUSPENSION KIT
EAN 4099854538155







LUMINAIRE + RAIL CONNECTABLE INSTALLATION.

OFFICE LINEAR SF V CONNECTOR KIT
EAN 4099854538230

1x
 1x
 6x 4x5
 6x

Office Linear Surface P DALI 34W 2CCT PS Office Linear Surface P 34W 2CCT PS

5x0,75mm² 1350mm 7-8mm 3x0,75mm² 1350mm

1

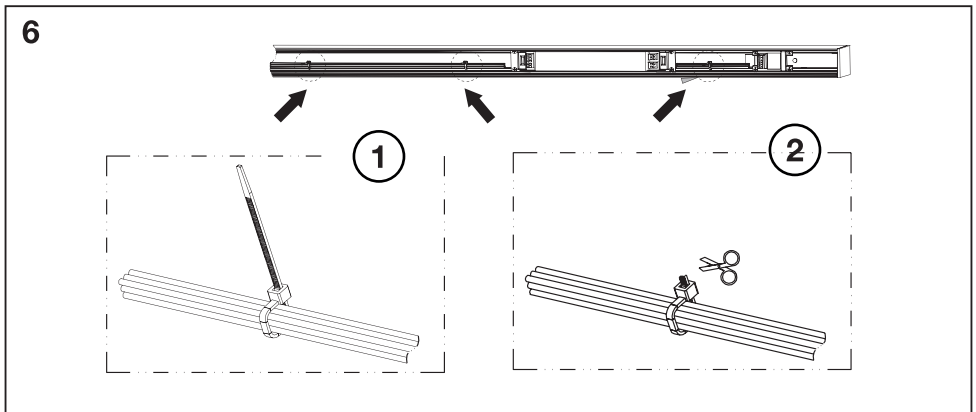
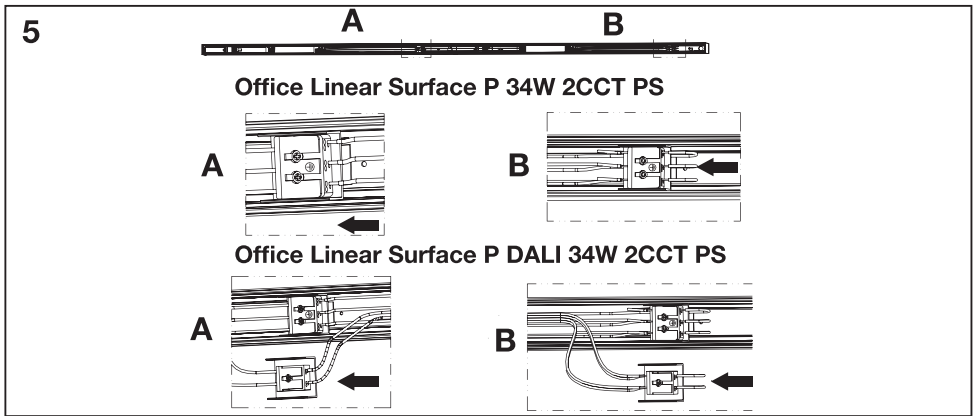
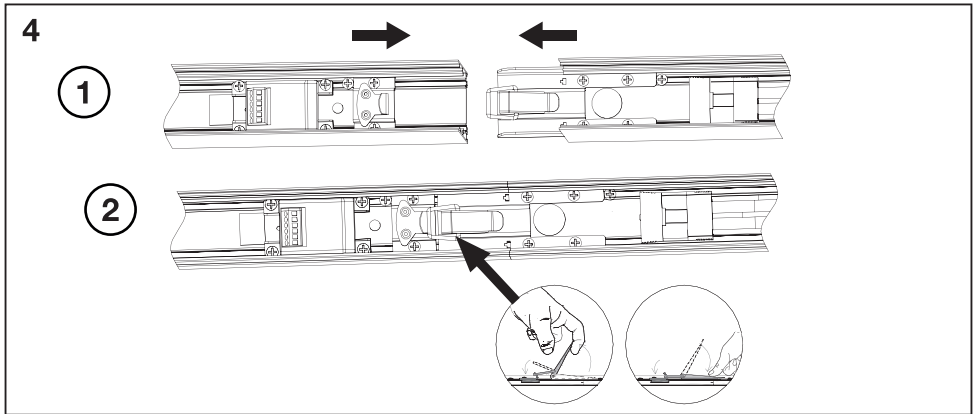
2

A B .. B C

A C

3

1 2



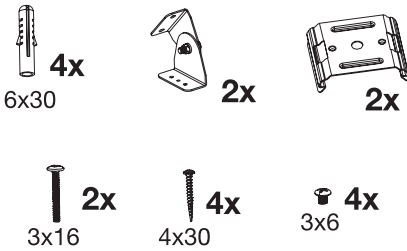


7

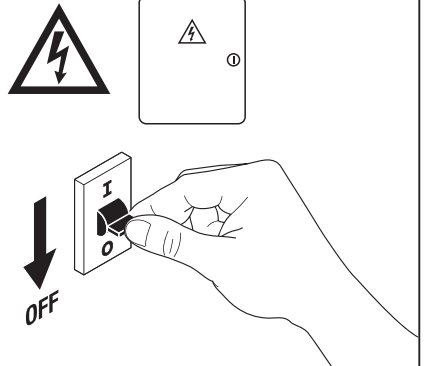


LUMINAIRE+RAIL ROTABLE SURFACE MOUNT

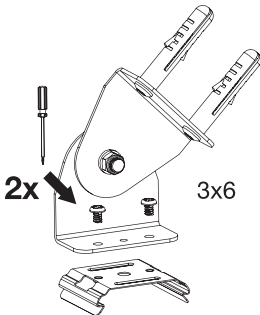
OFFICE LINEAR SF V
WALL BRACKET
EAN 4099854538193



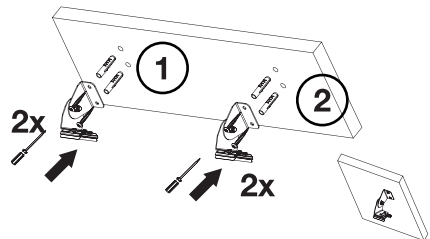
1

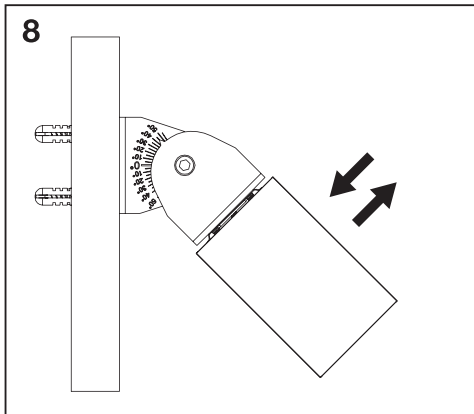
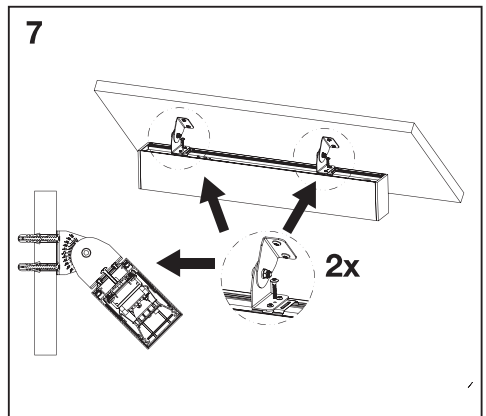
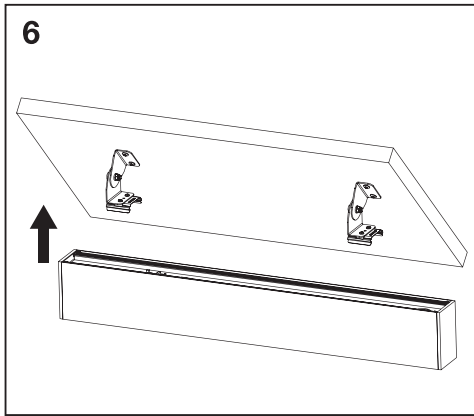
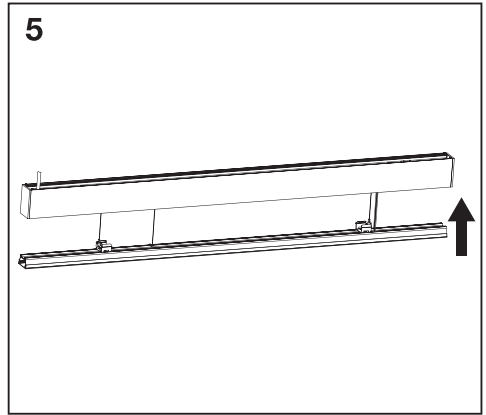
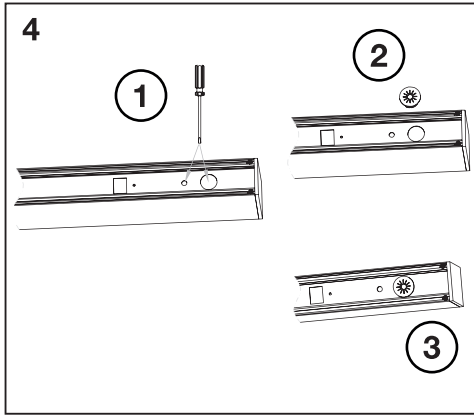
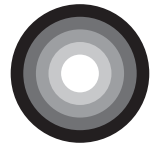


2



3

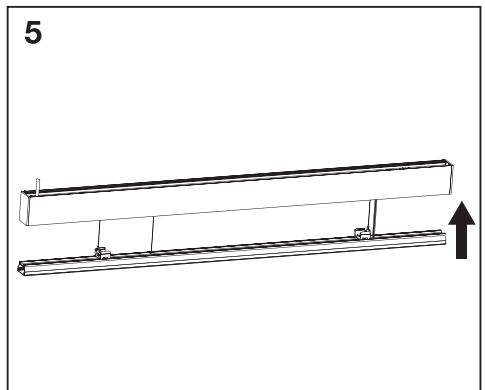
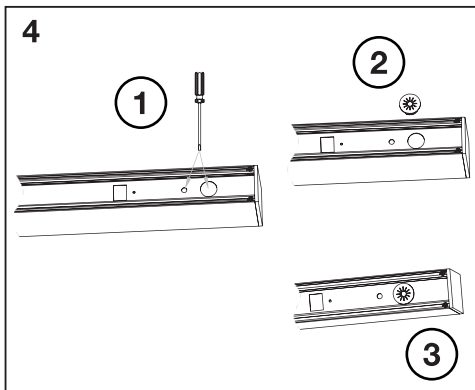
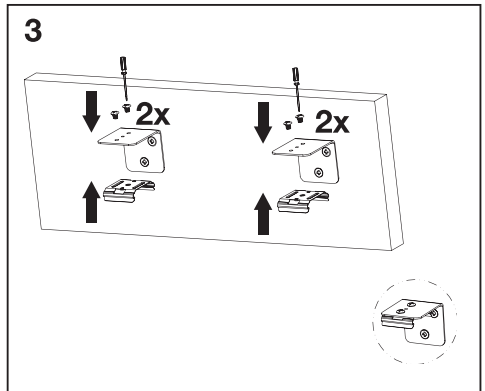
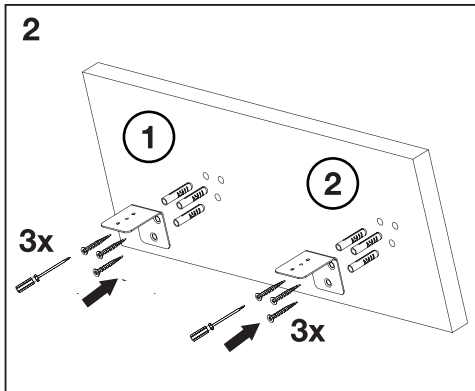
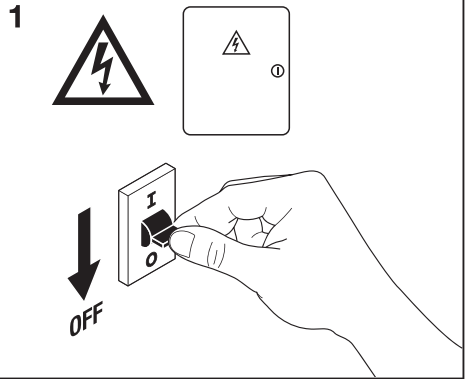
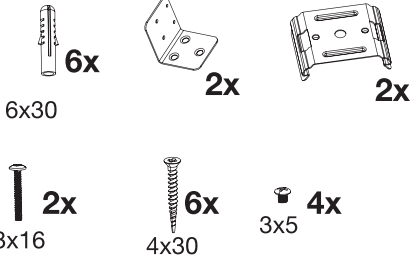


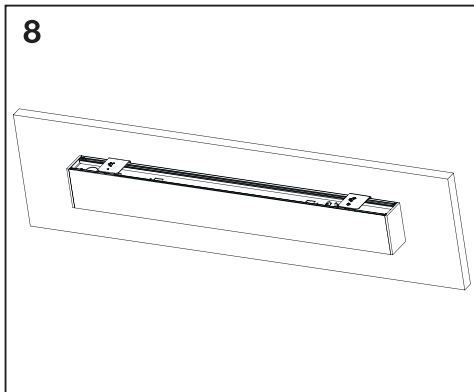
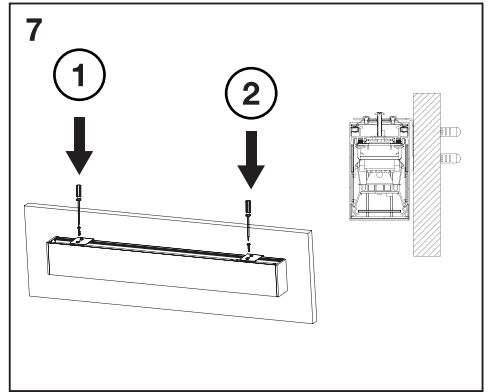
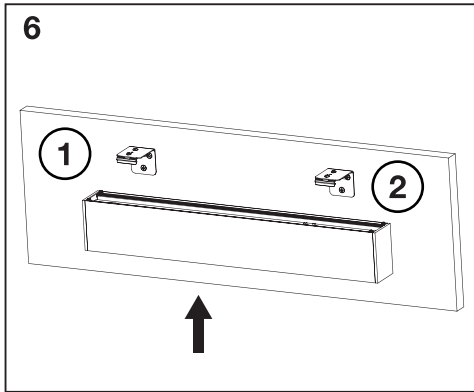




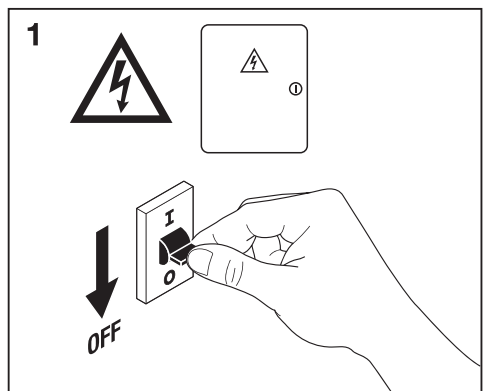
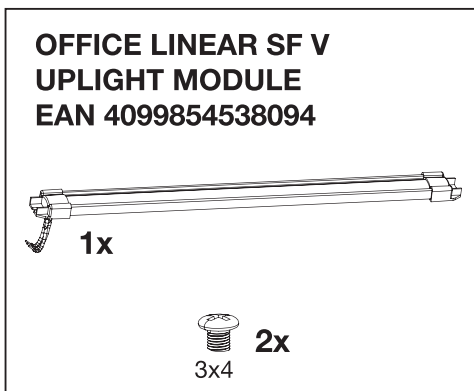
LUMINAIRE+RAIL ROTABLE SURFACE MOUNT

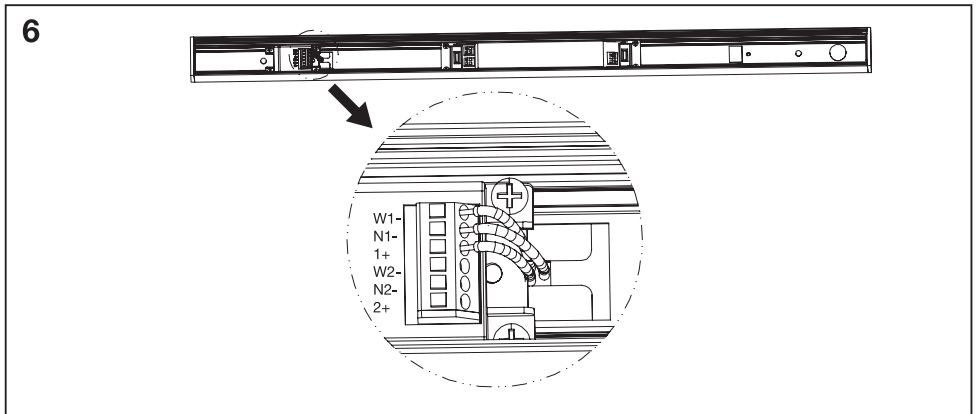
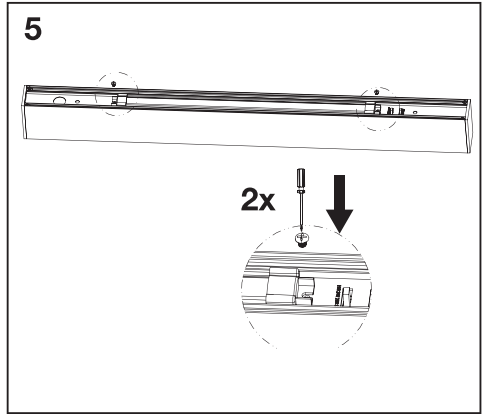
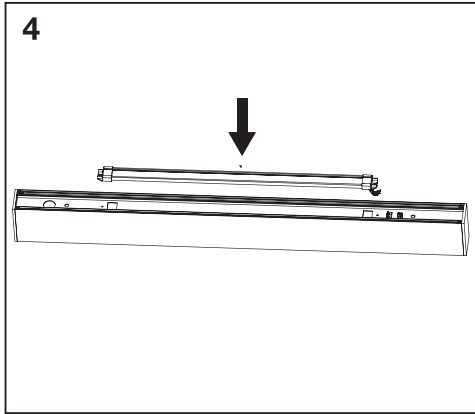
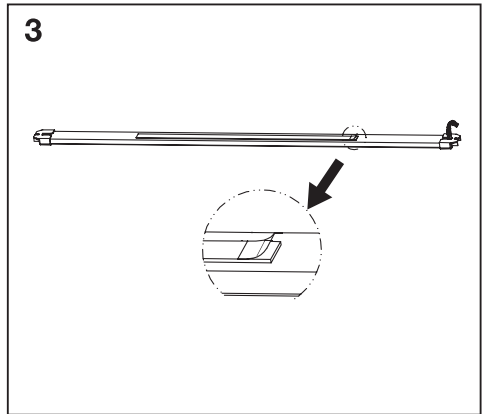
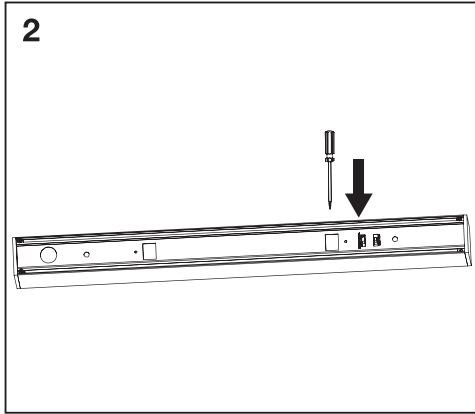
OFFICE LINEAR SF V
ROT BRACKET
EAN 4099854538179





LUMINAIRE+RAIL UPLIGHT MODULE



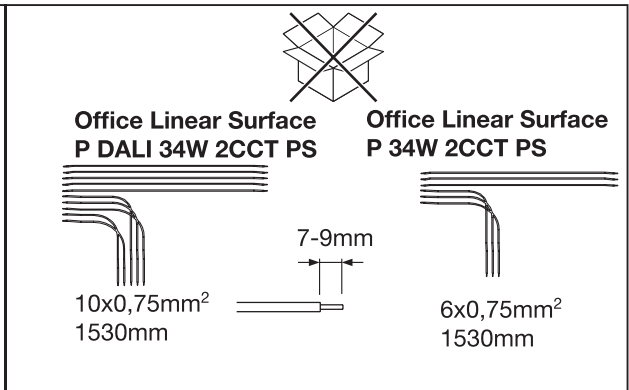
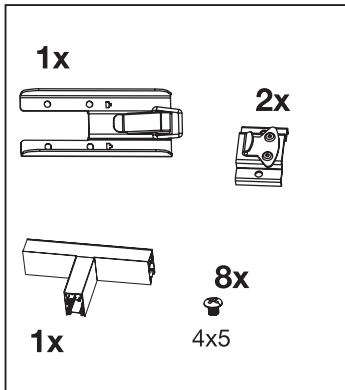
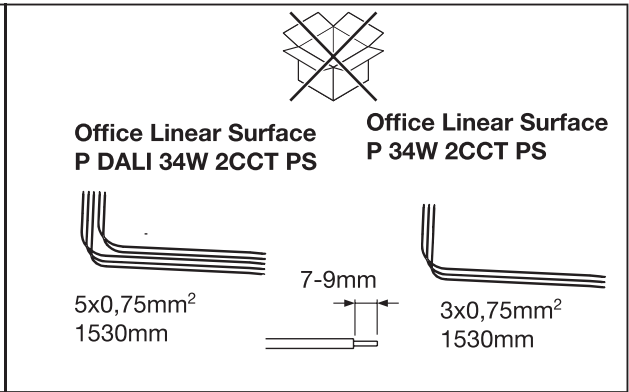
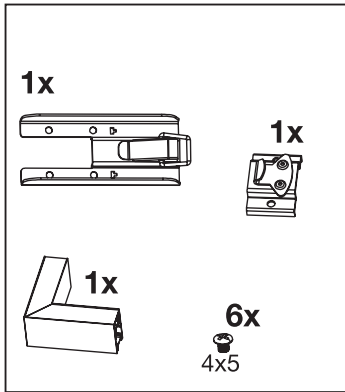




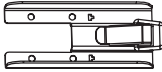

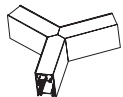


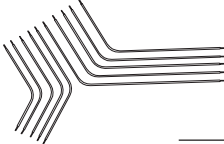
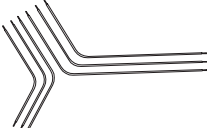
LUMINAIRE+RAIL SHAPE CONNECTORS

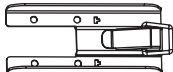

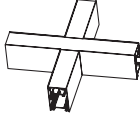


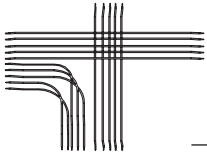
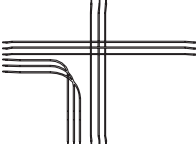
OFFICE LINEAR SF V T-CON PRISM WT	4099854537530
OFFICE LINEAR SF V T-CON PRISM BK	4099854537554
OFFICE LINEAR SF V T-CON PRISM GY	4099854537578
OFFICE LINEAR SF V L-CON PRISM WT	4099854537592
OFFICE LINEAR SF V L-CON PRISM BK	4099854537615
OFFICE LINEAR SF V L-CON PRISM GY	4099854537653
OFFICE LINEAR SF V Y-CON PRISM WT	4099854537677
OFFICE LINEAR SF V Y-CON PRISM BK	4099854537691
OFFICE LINEAR SF V Y-CON PRISM GY	4099854537714
OFFICE LINEAR SF V X-CON PRISM WT	4099854537738
OFFICE LINEAR SF V X-CON PRISM BK	4099854537752
OFFICE LINEAR SF V X-CON PRISM GY	4099854537776

OFFICE LINEAR SF V T-CON OPAL WT	4099854537790
OFFICE LINEAR SF V T-CON OPAL BK	4099854537813
OFFICE LINEAR SF V T-CON OPAL GY	4099854537837
OFFICE LINEAR SF V L-CON OPAL WT	4099854537851
OFFICE LINEAR SF V L-CON OPAL BK	4099854537875
OFFICE LINEAR SF V L-CON OPAL GY	4099854537899
OFFICE LINEAR SF V Y-CON OPAL WT	4099854537912
OFFICE LINEAR SF V Y-CON OPAL BK	4099854537936
OFFICE LINEAR SF V Y-CON OPAL GY	4099854537950
OFFICE LINEAR SF V X-CON OPAL WT	4099854537974
OFFICE LINEAR SF V X-CON OPAL BK	4099854537998
OFFICE LINEAR SF V X-CON OPAL GY	4099854538018


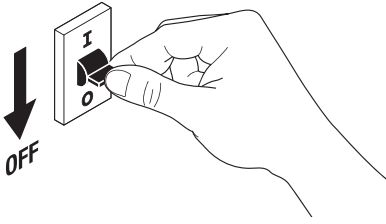




<p>1x</p>  <p>2x</p>  <p>1x</p>  <p>8x</p>  <p>4x5</p>	 <p>Office Linear Surface P DALI 34W 2CCT PS</p>  <p>10x0,75mm² 1530mm</p> <p>7-9mm</p> <p>Office Linear Surface P 34W 2CCT PS</p>  <p>6x0,75mm² 1530mm</p>
--	---

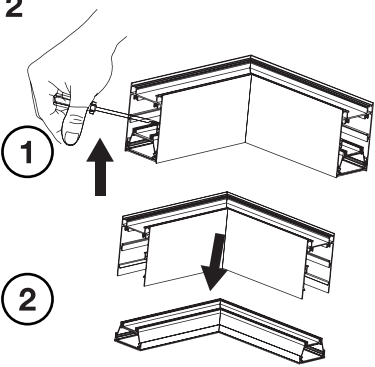
<p>2x</p>  <p>2x</p>  <p>1x</p>  <p>12x</p>  <p>4x5</p>	 <p>Office Linear Surface P DALI 34W 2CCT PS</p>  <p>15x0,75mm² 1530mm</p> <p>7-9mm</p> <p>Office Linear Surface P 34W 2CCT PS</p>  <p>9x0,75mm² 1530mm</p>
---	---

1

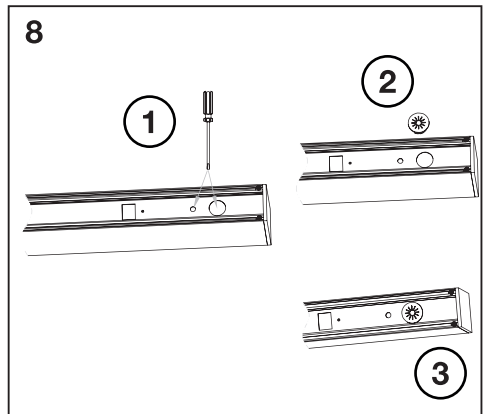
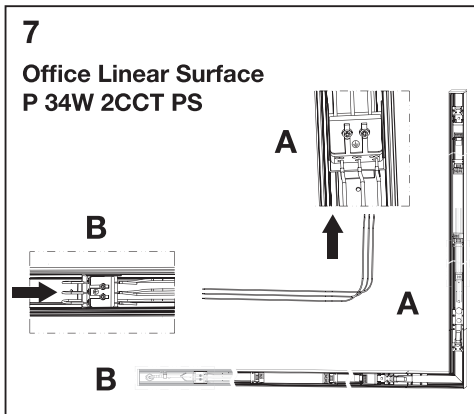
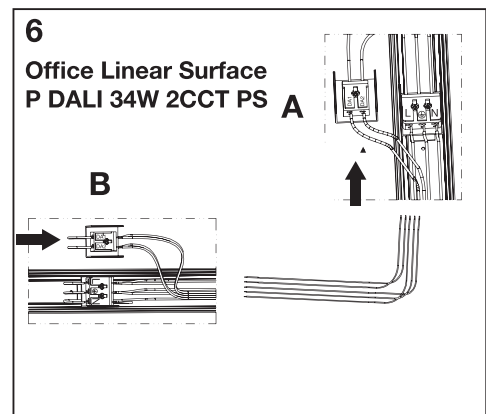
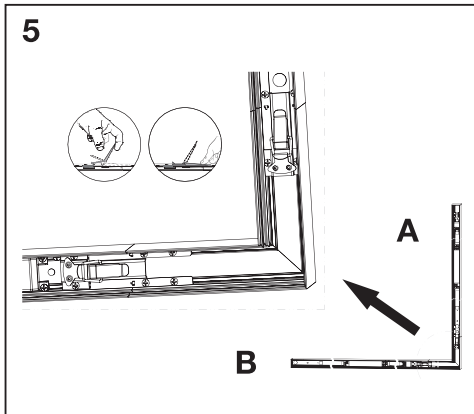
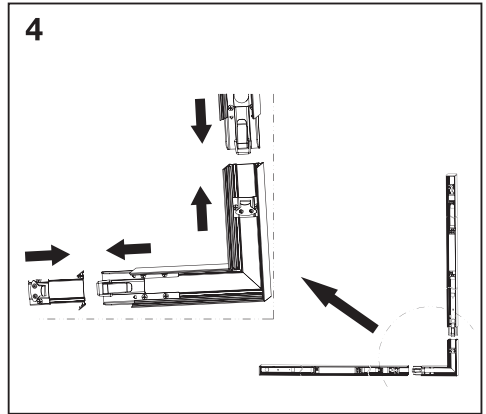
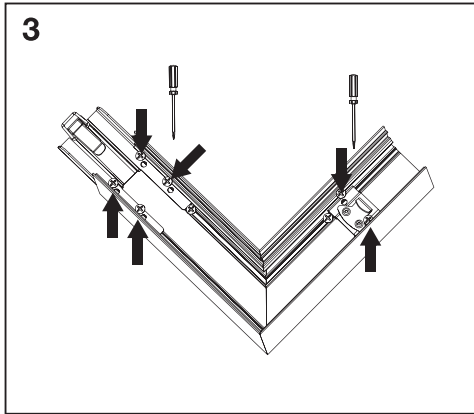
OFF

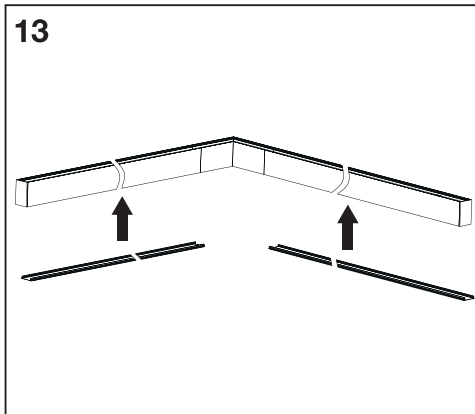
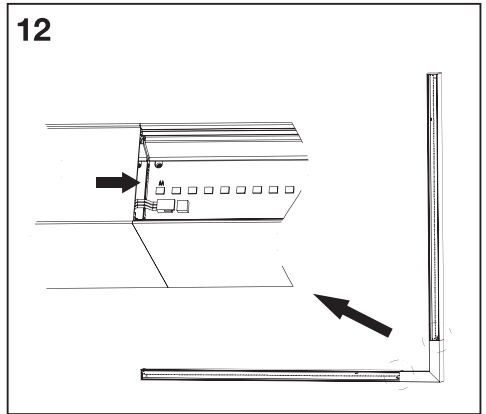
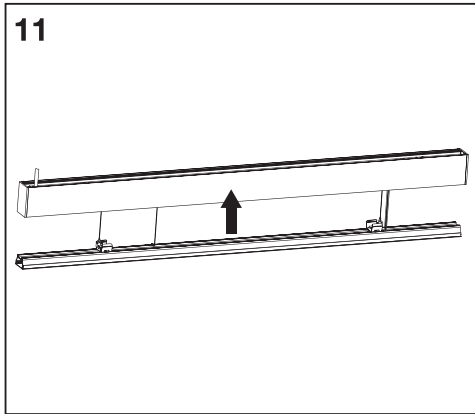
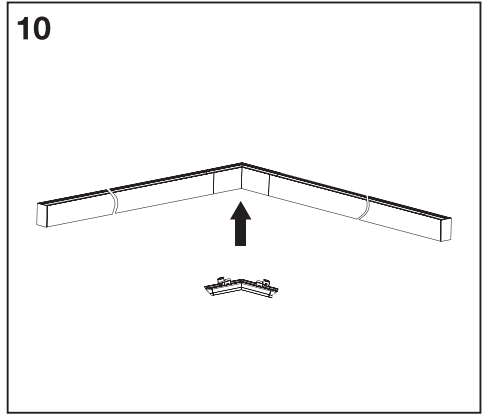
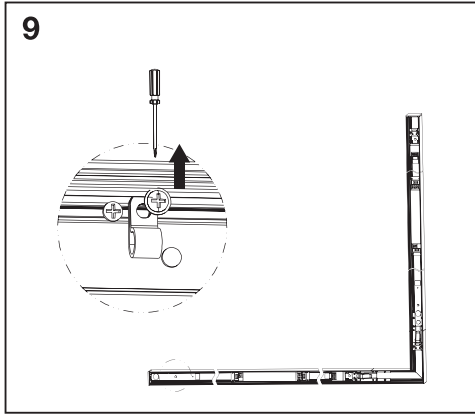
2



1

2

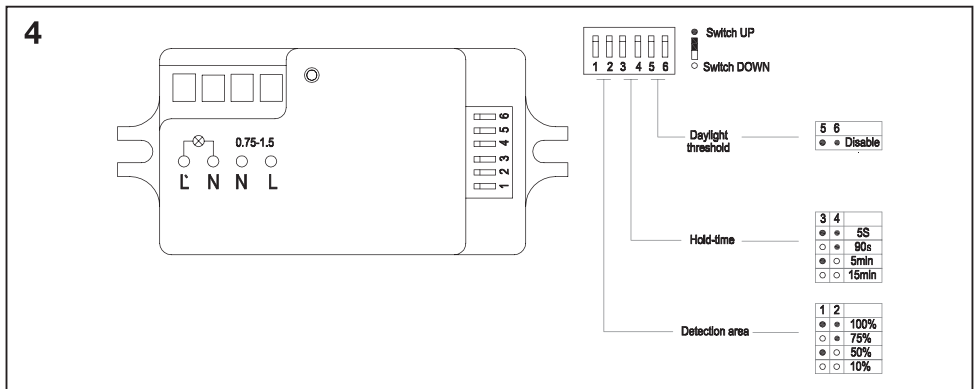
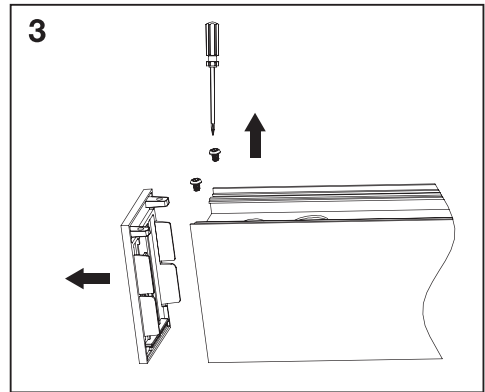
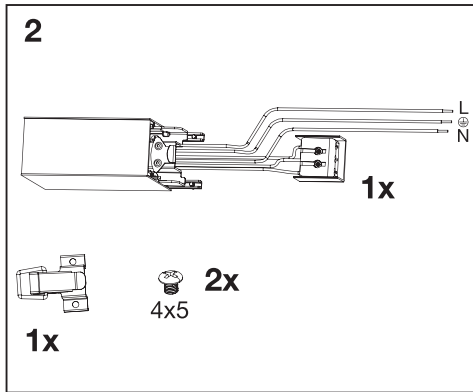
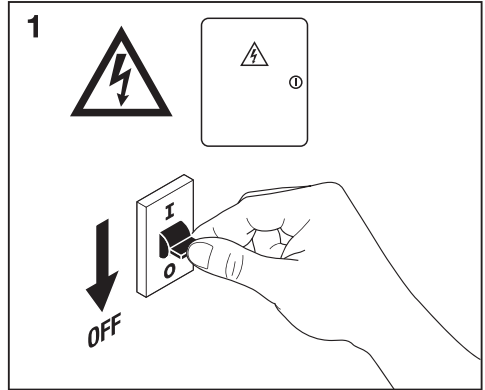


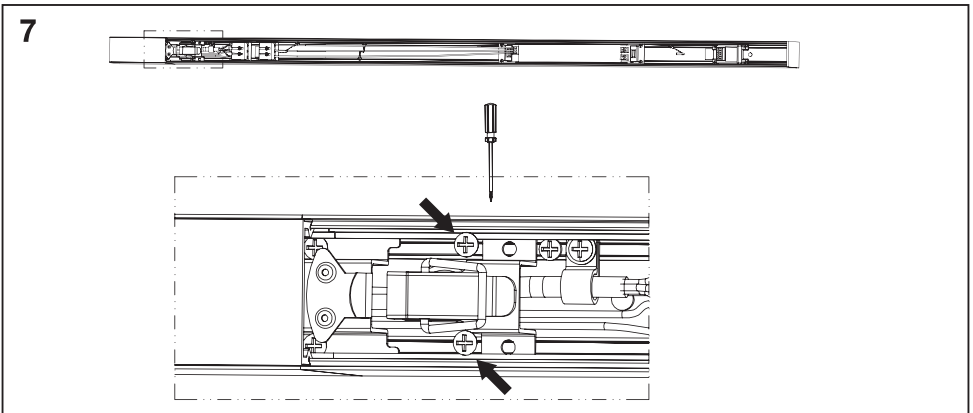
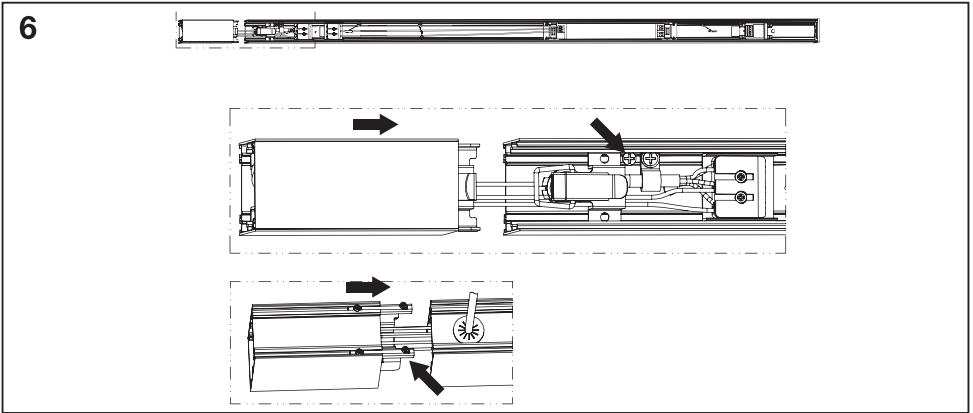
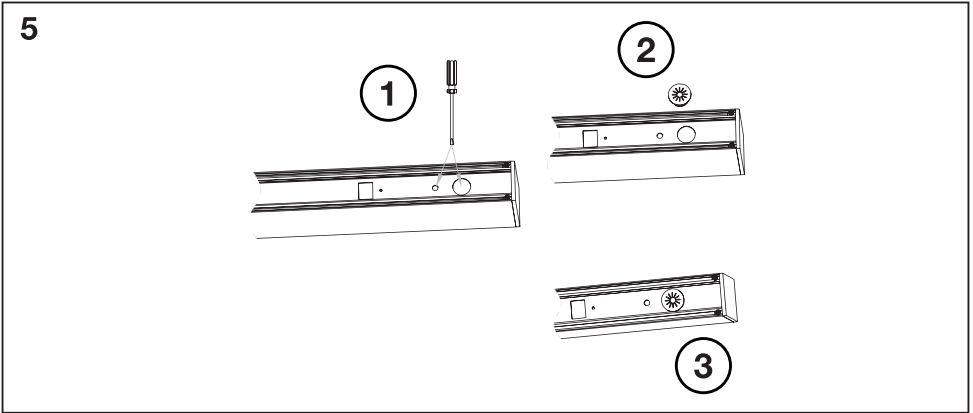
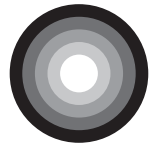


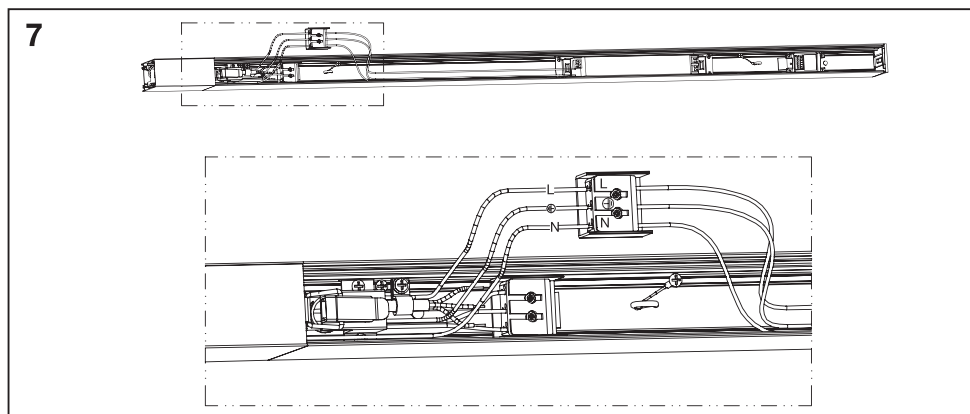
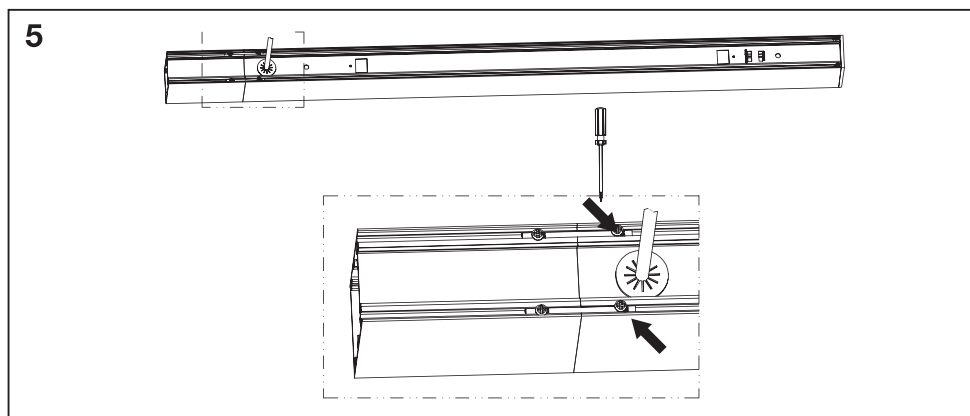
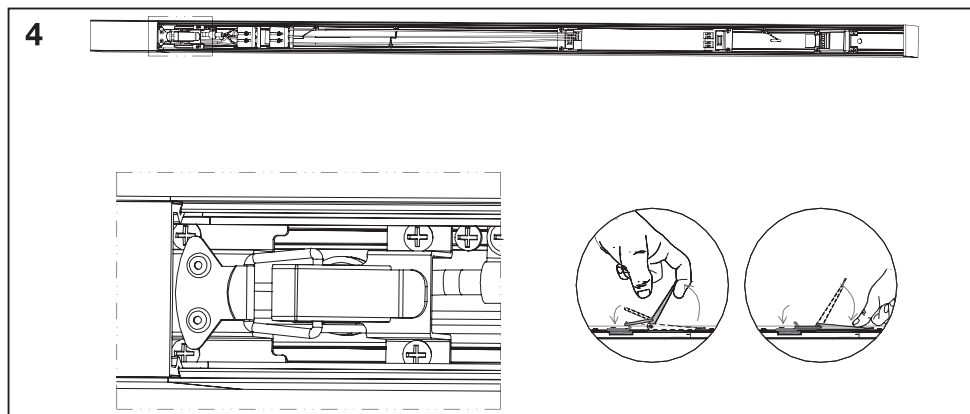
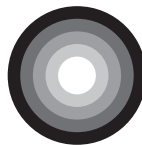


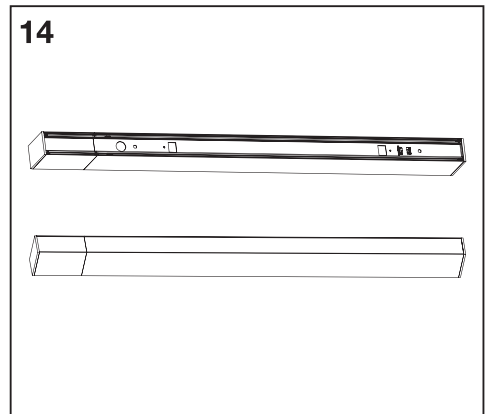
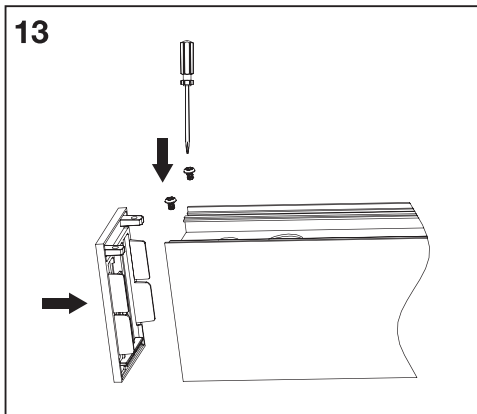
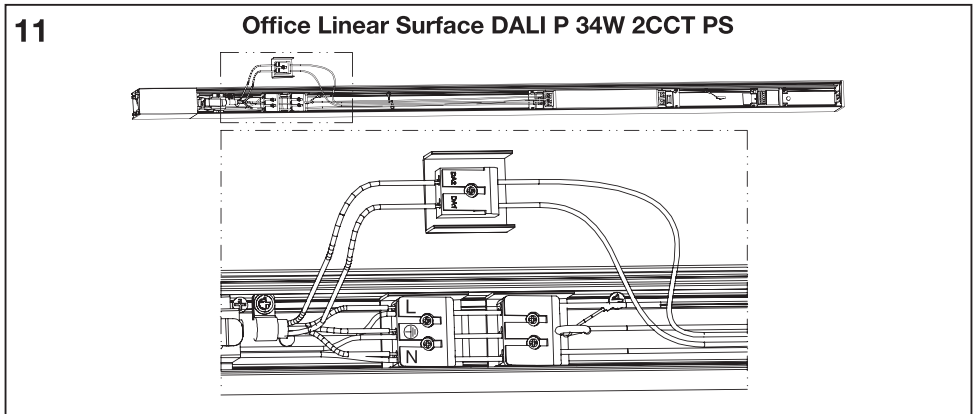
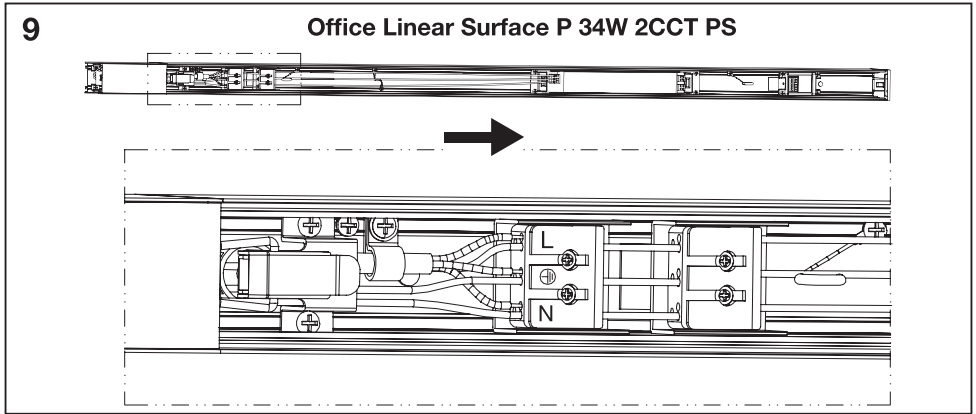
LUMINAIRE+RAIL MICROWAVE SENSOR

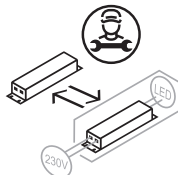
OFFICE LINEAR SF V SENSOR WT	4099854538032
OFFICE LINEAR SF V SENSOR BK	4099854538056
OFFICE LINEAR SF V SENSOR GY	4099854538070











Raccolta Carta
Verifica le disposizioni
del tuo comune.



FR

**Cet appareil,
ses accessoires
et son cordon,
se recyclent**

**À DÉPOSER
EN MAGASIN**



**À DÉPOSER
EN DÉCHÈTERIE**



OU

Points de collecte sur www.quefairedemesdechets.fr



C10449057

G11225602

17.02.25

LEDVANCE SASU
CQM, 5 rue d'Altorf
67120 Molsheim France
www.ledvance.com

© LEDVANCE Ltd, Sterling House, 810
Mandarin Court, Warrington, Cheshire,
WA1 1GG, United Kingdom